



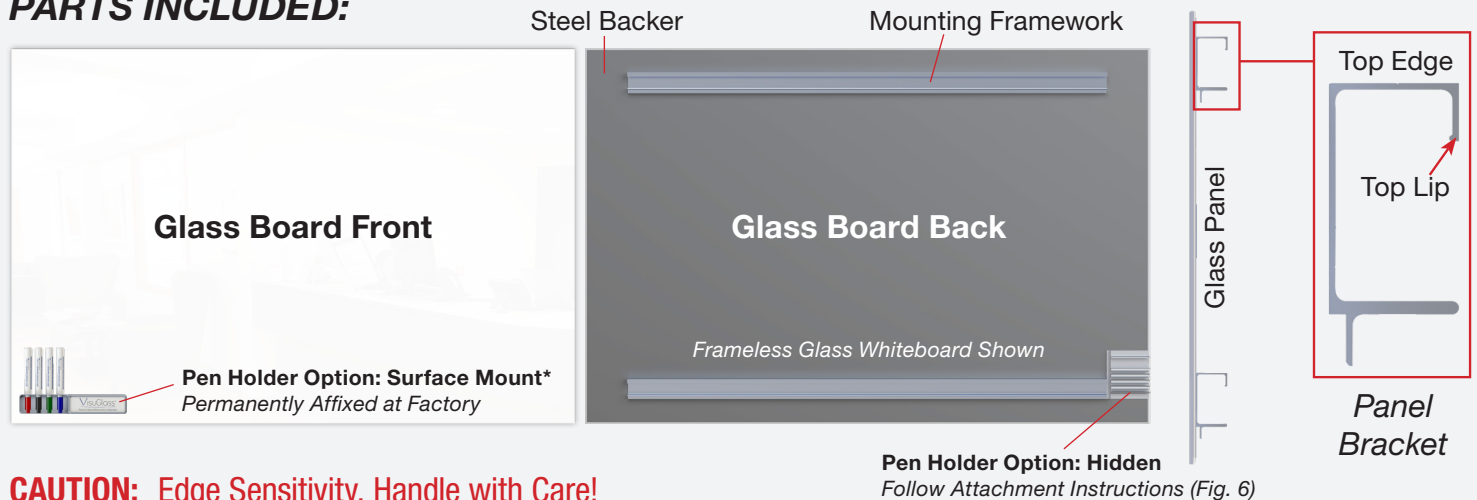
Tools Needed

- Stud Finder
- Drill
- Phillips or Hex drive bit, extended 1-1/2" - 2"
- Tape Measure
- Level or Laser Level
- Wall Fastening Hardware

Personnel/PPE

- Minimum 2 people
- Wear Appropriate PPE

PARTS INCLUDED:

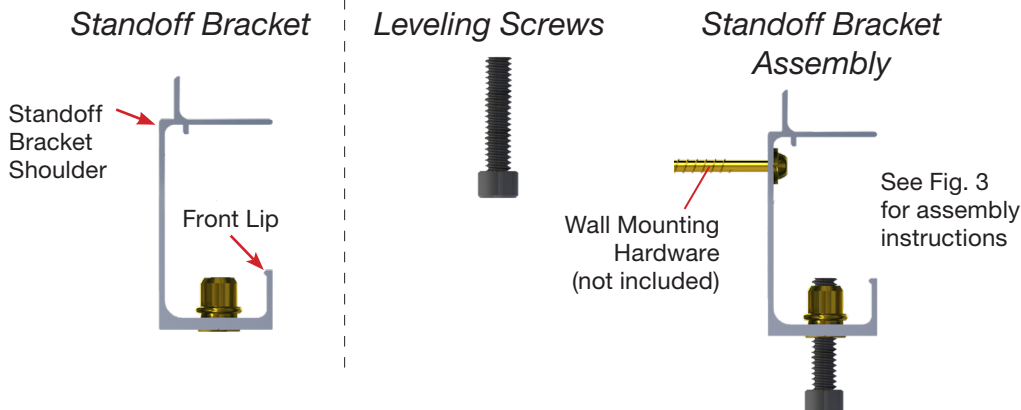


CAUTION: Edge Sensitivity. Handle with Care!

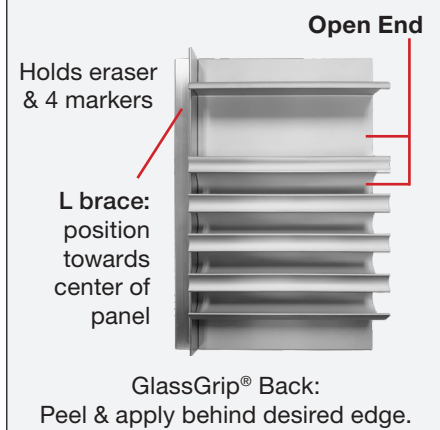
Though the tempered glass surface is extremely durable, the **EDGES AND CORNERS ARE SENSITIVE TO IMPACT.**

* Not Available on Printed Glass Systems

Micro Adjustment Standoff Wall Brackets



Hidden Pen & Eraser Holder



For more information or to reorder: visit Magnatag.com/GLASS
sales@magnatag.com | 800 624 4154 | M-F 8am - 5:30pm EST

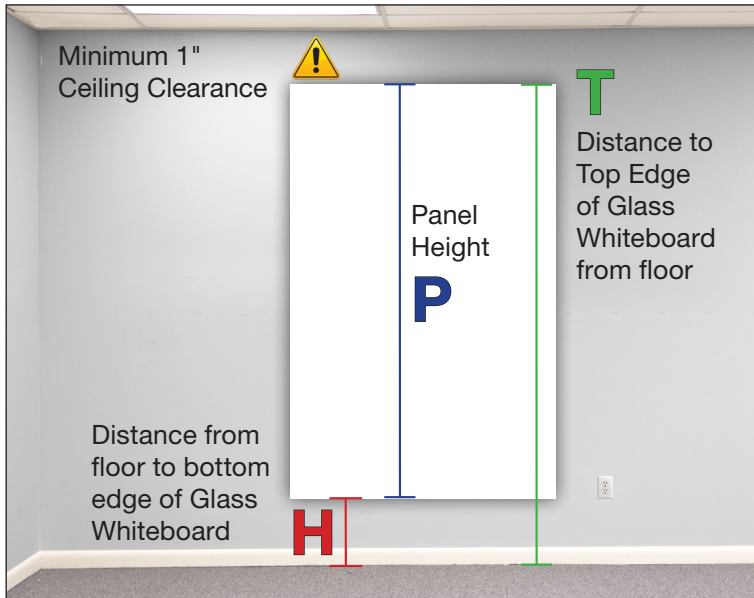
1. Wall Mounting Location and Measurements

a. Determine the location of your glass whiteboard on the mounting wall.

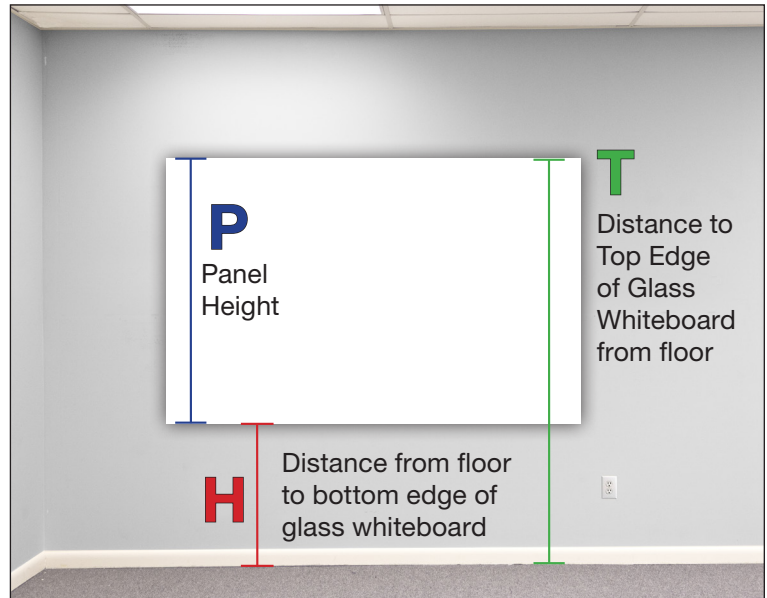
⚠ NOTE: A minimum 1" ceiling clearance is required to seat the whiteboard onto the wall bracket.

b. Subtract the panel height (P) from the desired height of the top edge of the glass whiteboard (T) to determine the distance from the floor to the bottom edge of the glass wall (H)

$$T - P = H$$



Example shows 6' x 4' glass whiteboard



Example shows 4' x 6' glass whiteboard

2. Mark Wall - Locate and Mark Wall Studs

a. Mark locations of wall studs along the full width of the intended mount area. (Fig. 1)

b. Measure from the bottom edge of the glass whiteboard to the **Top Lip** of **each** Panel Bracket (Fig. 2)

c. Add measured distance (H) from step 1b to measurements from step 2b and mark the wall at these heights from the floor. (Fig. 1)

d. With a level, draw lines at the wall markings across all marked wall studs (Fig. 1)

NOTE: If your board has the **Hidden Pen Holder**, a minimum 5-1/2" of space is required between the board edge and side wall to allow insertion and removal of markers and eraser.

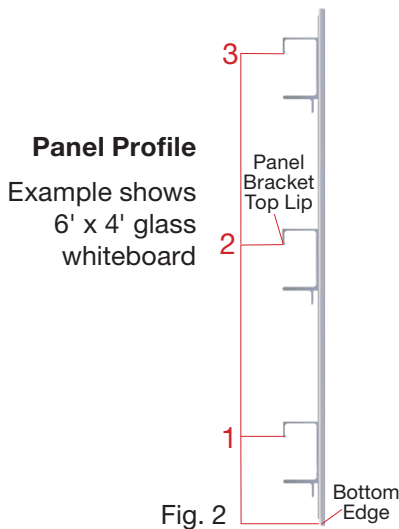
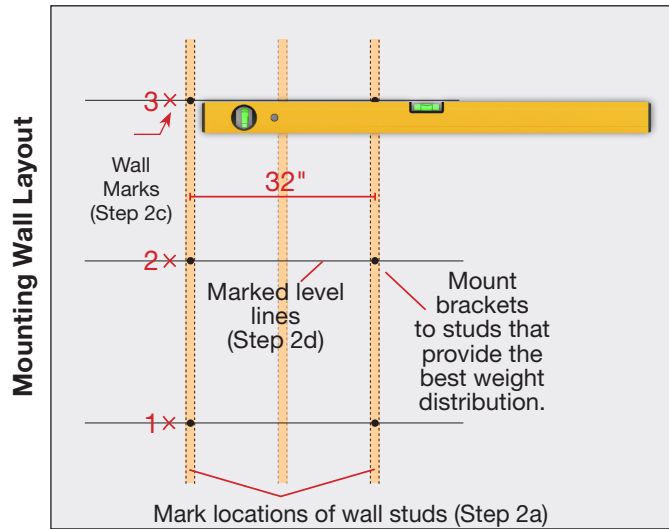


Fig. 2



Example shows measurements for a 6'h x 4'w glass whiteboard

When wall anchors are required, use hardware appropriate for your wall type and panel weight (not included).

Fig. 1

3. Standoff Brackets: Assembly and Wall Fastening

- Assembly: Insert a leveling screw into each standoff bracket so that the end is flush with, but *not* higher than, the top edge of the front lip of the bracket. (Fig. 3)
- Wall Fastening: Using hardware appropriate for your wall type (not included), fasten standoff brackets to the wall. Fasten to wall studs* when spacing allows. Align bracket "shoulder" with the marked level lines. (Fig. 4)

*For best support, fasten to wall studs when available. The need for wall anchors will vary with panel sizing. Choose hardware appropriate for your wall type and panel weight. (Fig. 5)

Standoff Bracket Assembly

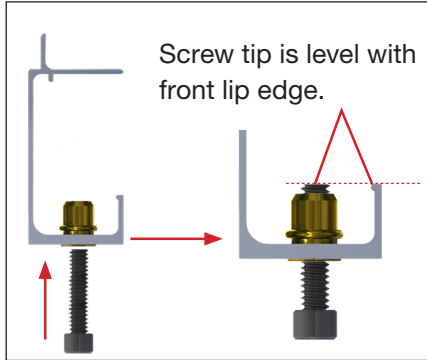


Fig. 3

Standoff Wall Fastening

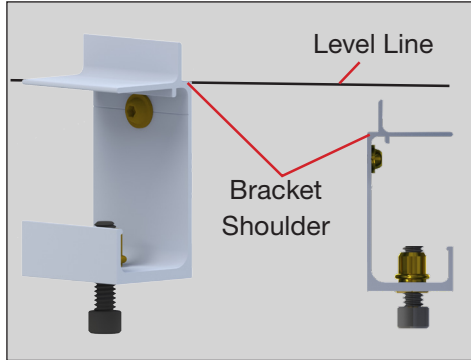


Fig. 4

Bracket Counts & Mounting Layouts

Panel Size (h x w)	Panel Weight (lbs)	Per Panel Counts		Single Panel Spacing & Mounting Layouts
		Panel Brackets	Standoff Brackets	
2' x 3'	31	2	4	• 16" •
3' x 2'	31	2	4	• 16" •
3' x 4'	54	2	4	• 32" •
4' x 3'	54	2	4	• 16" •
4' x 4'	74	2	4	• 32" •
4' x 5'	88	2	4	• 48" •
4' x 6'	100	2	6	• 32" • 32" •
4' x 8'	127	2	8	• 32" • 16" • 32" •
5' x 4'	88	2	4	• 32" •
6' x 4'	100	3	6	• 32" •
8' x 4'	127	3	6	• 32" •

• = Standoff Bracket Location ■ = Wall Stud

Fig. 5

4. Hanging the Glass Whiteboard onto the Standoff Brackets

For Hidden Pen & Eraser Holder: Fasten the GlassGrip®-backed Hidden Pen & Eraser Holder to left or right end of the glass whiteboard at a convenient height. Peel clear film from the back, align open end along the panel edge, with L Brace towards panel center and press into place. (Fig. 6)

- With the help of at least one other person, raise the glass whiteboard so that the panel brackets are just above the wall-mounted standoff brackets. Carefully lower the glass whiteboard onto the standoff brackets, engaging them as shown in Fig. 7
- Viewing from the side, confirm the panel is fully seated, then check for level. If level, your glass whiteboard is ready for use. If glass whiteboard is not level, make adjustments per step 5.

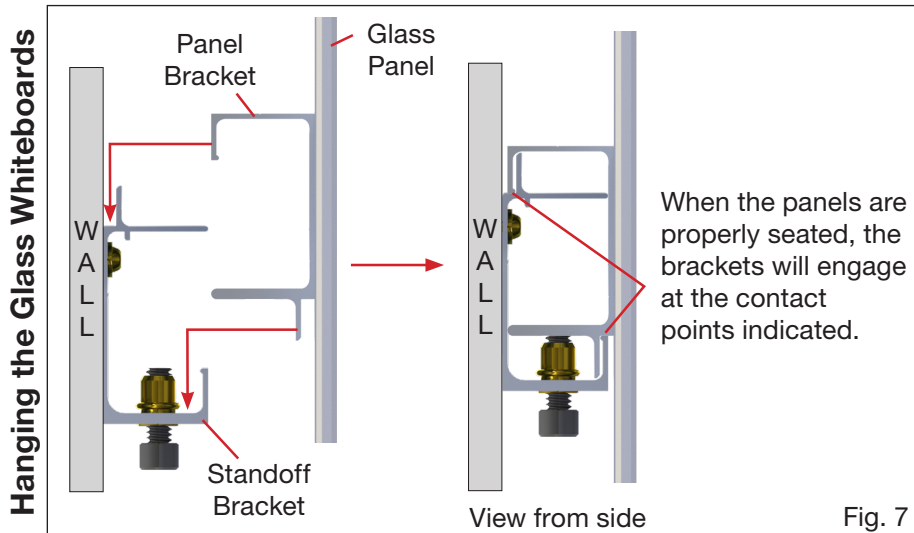


Fig. 7

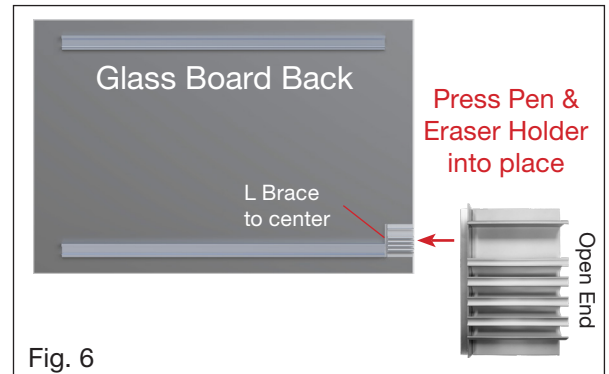


Fig. 6

5. Adjusting for Level

After carefully removing the out-of-level glass whiteboard, spin the leveler screw of the appropriate standoff bracket to raise the low side of the panel. Retest panel level and repeat as needed until the panel is level.

See Fig. 8 for screw-turn decimal and fractional distance equivalents.

Adjusting Panel Level

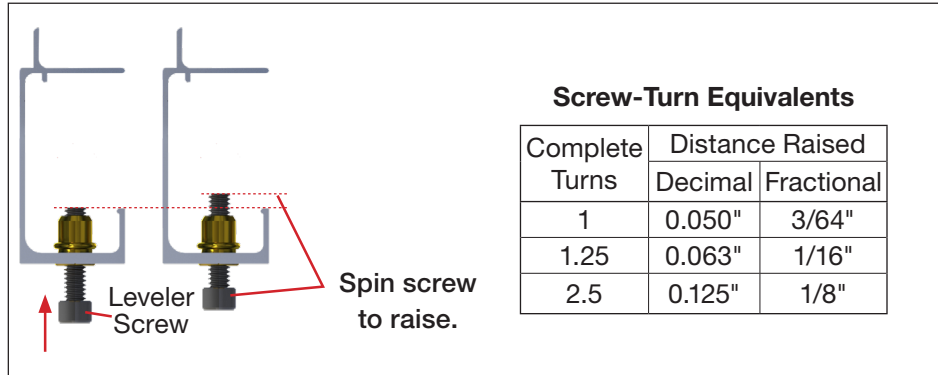


Fig. 8